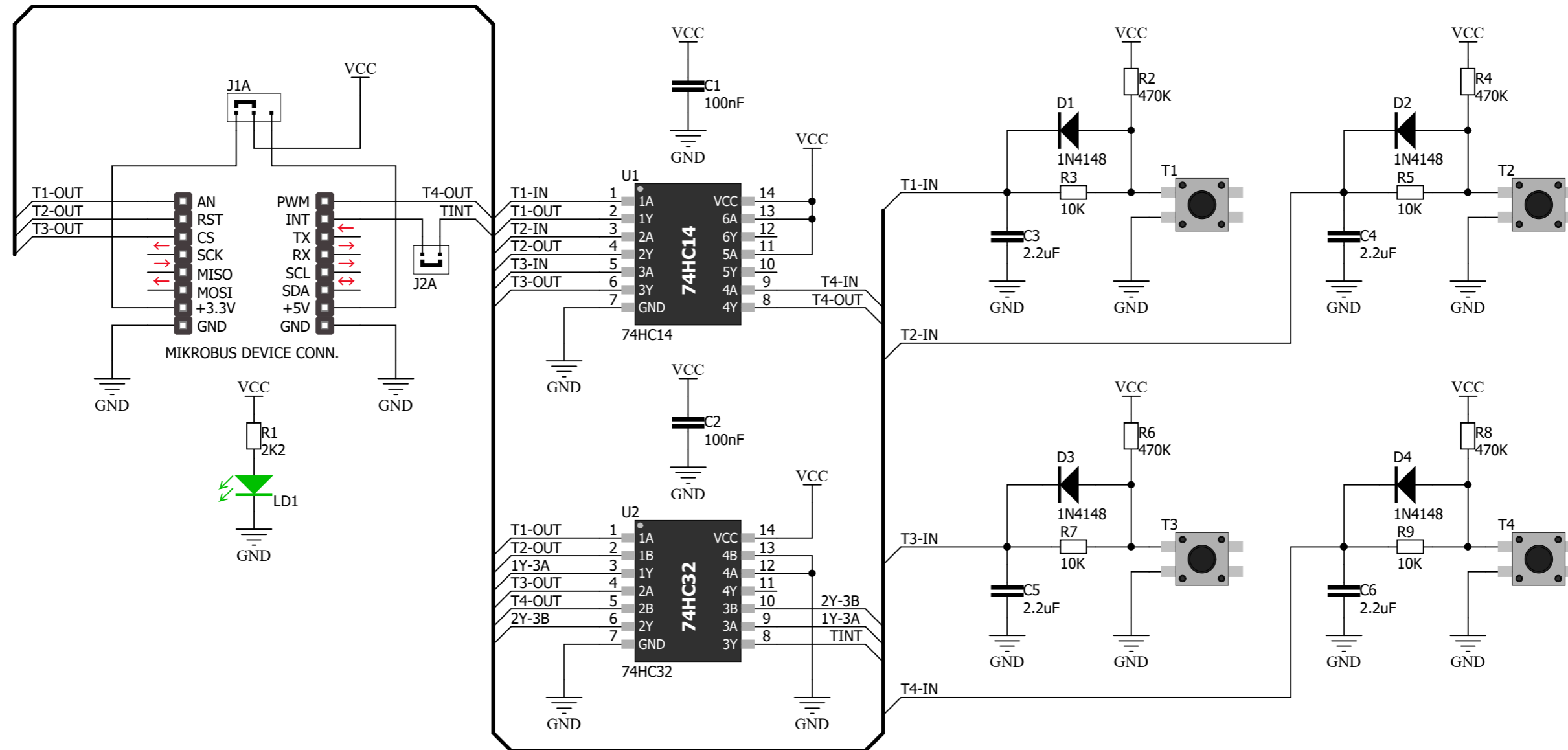


2x2 Key Click schematic v100



www.mikroe.com